

Single turn absolute optical encoder



FPCOA12-01

Size 12

19, 20, 21 or 22 BITS

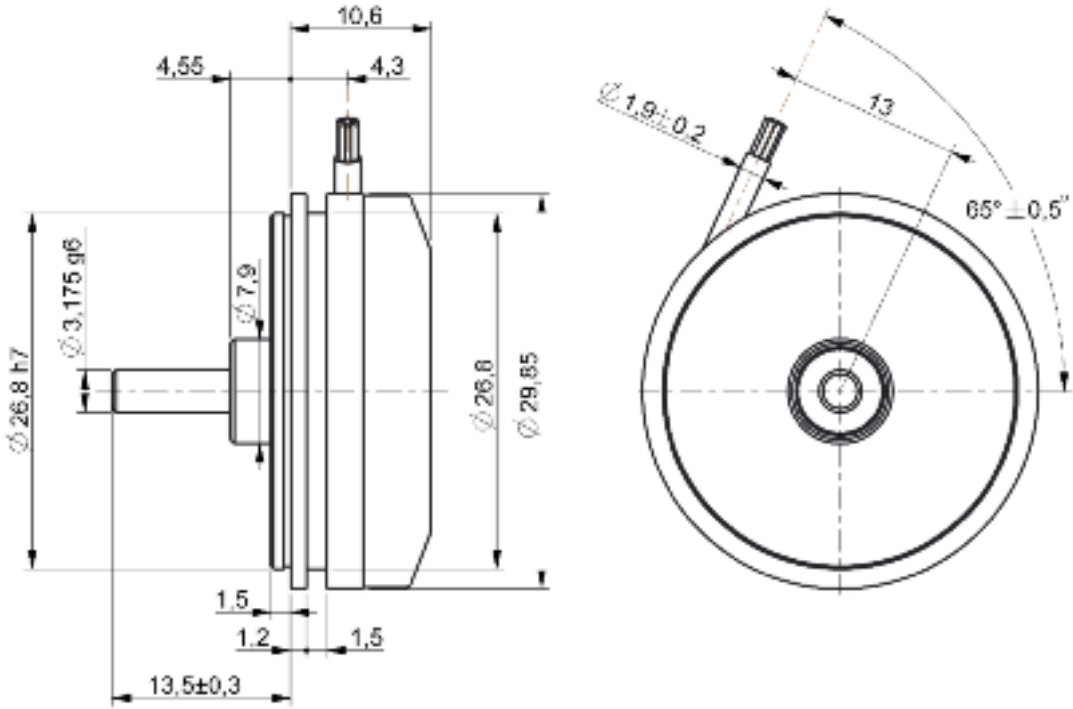
19 BITS 20 BITS 21 BITS 22 BITS

Resolution	2,5" 1,2" 0,6" 0,3"
Accuracy	± 15"
Output	Serial output (see overleaf)
Output Interface	RS422
Power supply / Consumption	0V ; + 5V ± 5% (220 mA)
Operating temperature	Standard : from - 40°C to + 85°C Optionnal : from - 54°C to + 115°C
Storage temperature	From - 55°C to + 125°C
Operating speed	300 rpm
Starting torque	10 x 10 ⁻⁴ N.m
Housing material	Stainless steel

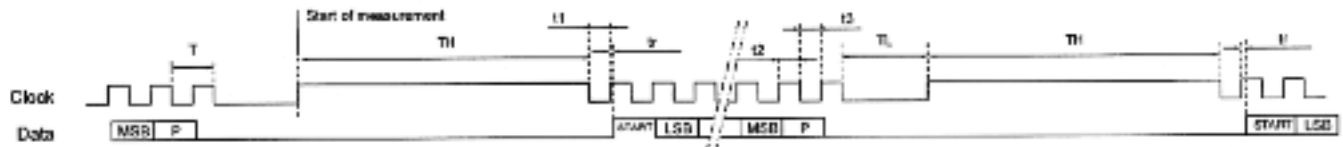
For any further information, please contact our sales department :

Single turn absolute optical encoder FPCOA12-01

Drawing



Serial output diagram SS12

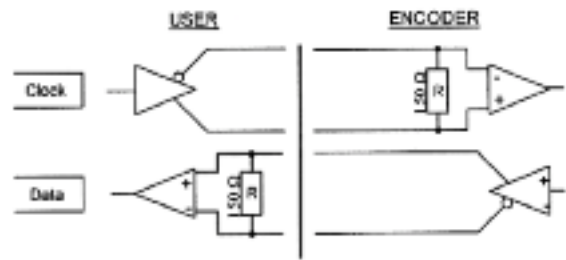


- t1 : The first low state after TH time must be ≥ 250 ns
- t2 : 200 ns min.
- t3 : 200 ns min.
- $10 \text{ KHz} \leq \text{Clock} = 1/T \leq 2\text{MHz max.}$
- TL = 2T min.
- TH = 7 μ s min.
- t_r = 0.2 μ s max.
- P = Parity bit

Truth table for parity bit

	Parity bit
If Σ of the bits at 1 (including start bit) is even then	0
If Σ of the bits at 1 (including start bit) is odd then	1

Input & Output signals according to RS422



Single turn absolute optical encoder - solid shaft

FPCOA12-01 - 05/17 - A -